



Installation Instructions

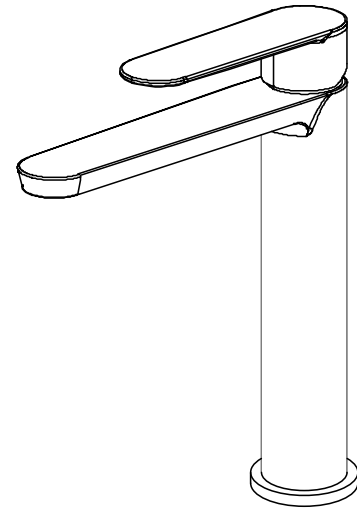
Yasawa

BA-430-02

Single Handle Vessel Bathroom Faucet

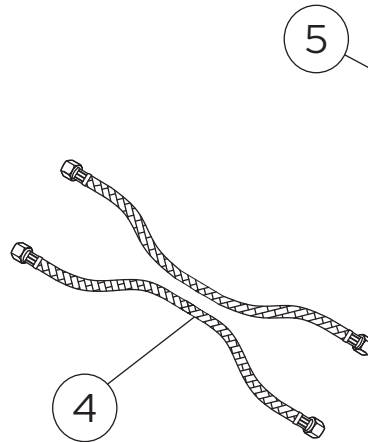
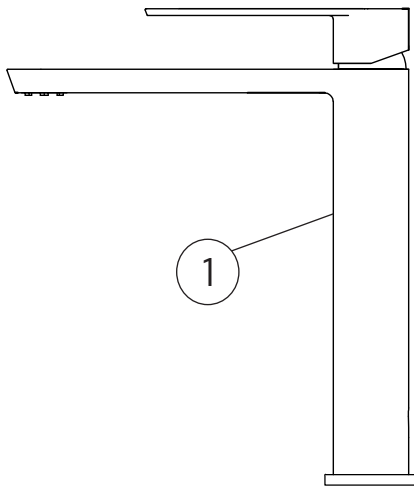
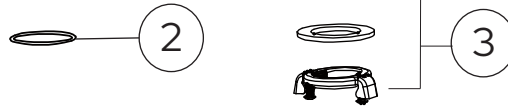
Thank you for selecting Lulani.


To ensure that your installation proceeds smoothly, please read these instructions carefully before you begin.



Parts Included

1. Faucet
2. Above sink hardware: rubber O-ring
3. Below sink hardware: rubber washer, metal washer, mounting nut
4. Water supply lines
5. Non-over-flow pop-up drain



 Note: This faucet has been packaged with a non-over-flow pop-up drain. DO NOT use with an over-flow sink.

Recommended Tools (not included)

- | | |
|-------------------------|--------------------|
| 1. Adjustable Wrench | 6. Measuring Tape |
| 2. Phillips Screwdriver | 7. Plumber's Putty |
| 3. Safety Goggles | 8. Channel Locks |
| 4. Flashlight | 9. Allen Key |
| 5. Bucket | |



Caution: Tips for removal of old faucet

Always turn off the water supply before removing the existing faucet or replacing any part of the faucet. Open the faucet handle to relieve water pressure and ensure that water is completely shut off.

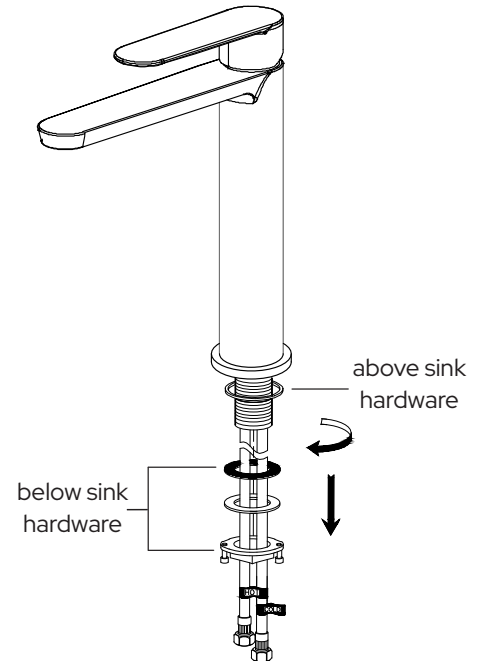
Maintenance

Your new faucet is designed for years of trouble-free performance. Keep it looking new by cleaning it periodically with a soft cloth. Avoid abrasive cleaners, steel wool, and harsh chemicals as these will dull the finish and void your warranty.

Step 1

Remove the **below sink hardware** (rubber and metal washers and mounting nut) from the base by hand twisting off.

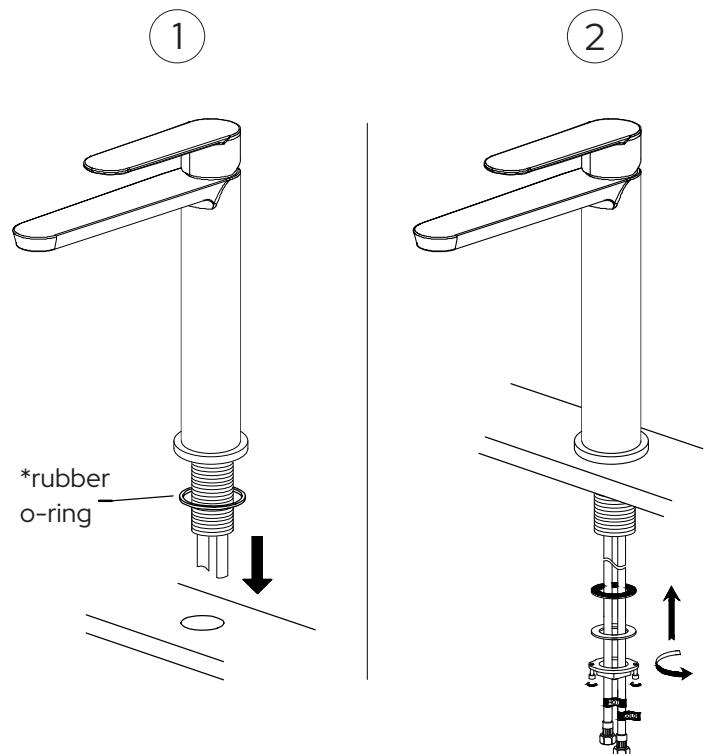
Note that the **above sink hardware** (rubber o-ring) needs to stay above the mounting surface.



Step 2

1. Insert the faucet through the hole on the sink. Make sure that the rubber o-ring stays above the mounting surface.

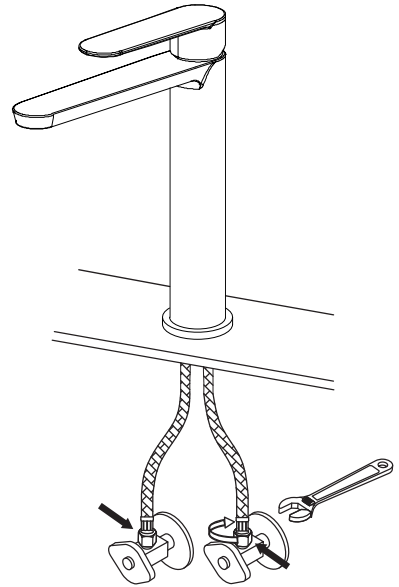
2. Secure the faucet by firmly hand tightening the rubber washer, metal washer and mounting nut back on the faucet threads underneath the sink. Tighten the screws on the mounting nut with a Phillips screwdriver.



Step 3

Connect the water supply lines to the water valves. Tighten each end with an adjustable wrench. **Do not over tighten!**

Check all connections (shown with arrows in the image) for leaks. Re-tighten if necessary.



Step 4

From the top of the drain hole, place the rubber gasket (2) on to the drain (1). Then insert through the installation hole. From under the drain hole, the rubber gasket (3), plastic washer (4), and metal nut (5) will be installed.

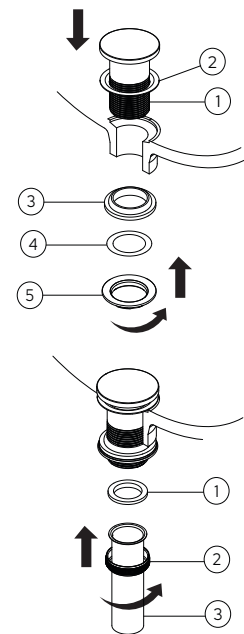
Install the non-threaded side in to the wall plumbing. Then, bring the tail pipe up to connect to the drain. Slide the rubber gasket (1) and metal gasket (2) over the threads of the drain body (3) and hand tighten. Do not over tighten.

*Note: Lulani vessel bathroom faucets are packaged with a NON-over-flow drain by default. If you have a specialty sink and need a standard over-flow drain, use the QR code below to view our alternative drain options. Use code [FREEDRAIN] at checkout to receive a free drain, just pay for shipping.



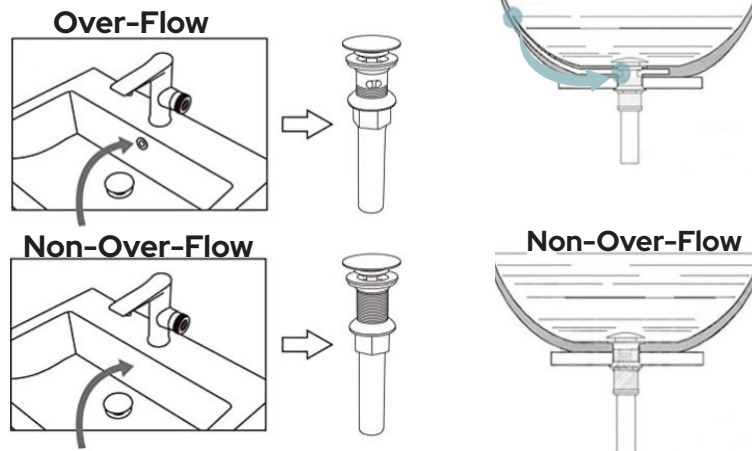
*Limit of 1-time use per customer

*Limited to the number of faucets purchased



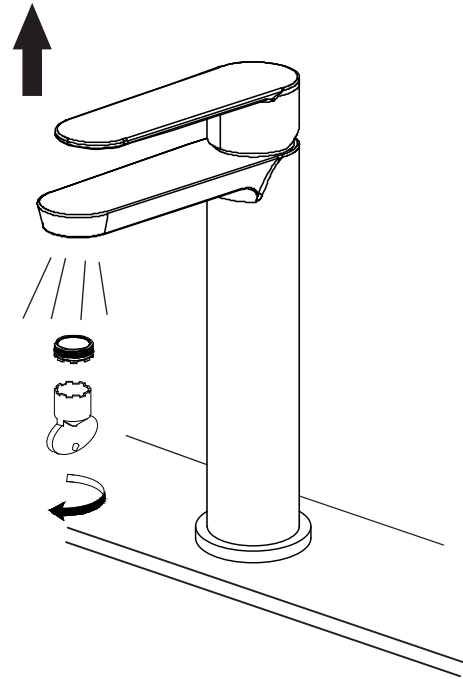
What's an over-flow pop-up drain?

The primary purpose of the over-flow drain is to help your sink drain faster. The over-flow on the drain works in coordination with the primary drain to prevent flooding.



Step 5

Remove the aerator with an aerator wrench (a quarter or flat surface tool could also work). Turn the faucet handle all the way on, turn on the hot and cold water supply and flush water lines for one minute. Reinstall the aerator with an aerator wrench.



About our products

With clean, simple lines, the Yasawa Single Handle Vessel Bathroom Faucet is as stunning as the namesake islands from which it was inspired. Built from the highest quality Stainless Steel and featuring a Neoperl aerator, Kerox ceramic cartridge and a Limited Lifetime Warranty, this sleek faucet will turn any bathroom into a personal paradise.

BOLD, MODERN DESIGNS

Inspired by the world's most exotic locations, every Lulani product is designed to leave a lasting impression. After the initial sketch, our talented team of product engineers complete an extensive R&D process ensuring each piece performs beautifully.

ONLY THE HIGHEST QUALITY OF MATERIALS

We settle for nothing short of perfection. That's why we source only the finest raw materials, components, and finishes. No shortcuts. Only the best for you and your family.

BEAUTY THAT LASTS A LIFETIME

Our quality control experts meticulously test and retest each and every one of our products to ensure they exceed even the highest standards for health, safety and durability. From corrosion, pressure and decay resistance to flow rate and ease of assembly, all of our craftsmanship is backed by an industry-leading Lifetime Limited Warranty.



Congratulations! You've successfully finished installing your new faucet. For troubleshooting questions or concerns, please reference the Owner's Manual or visit our website at www.lulani.com.

We value your opinion! Don't forget to leave us a review.